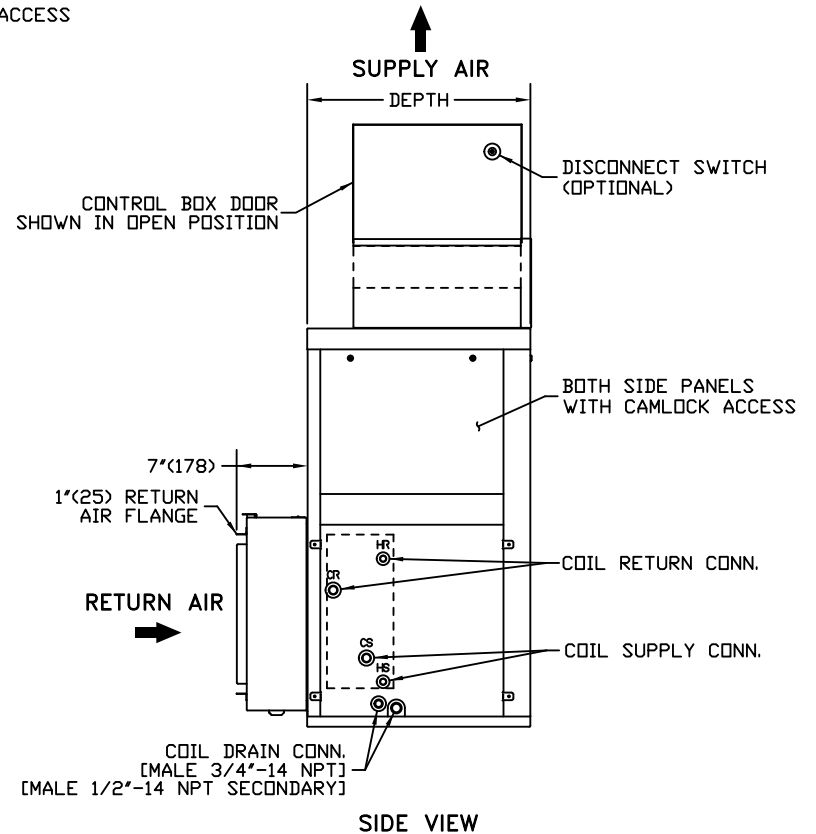
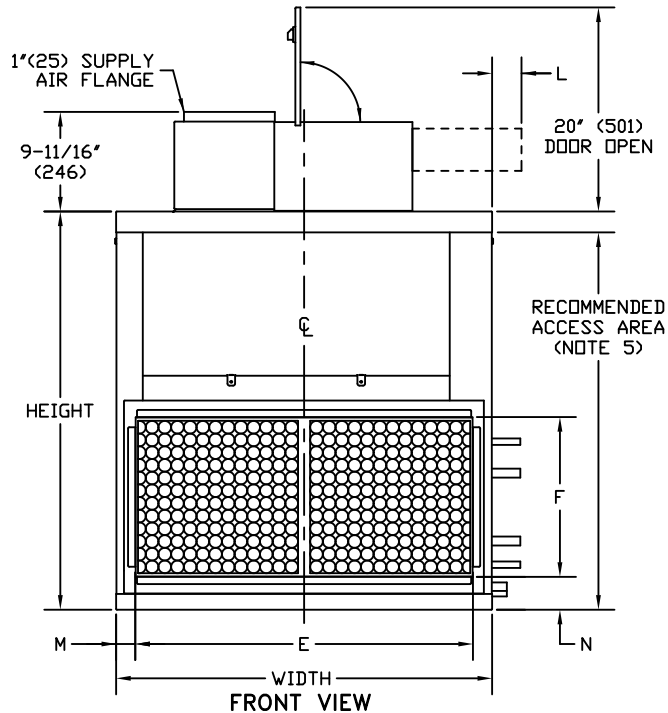
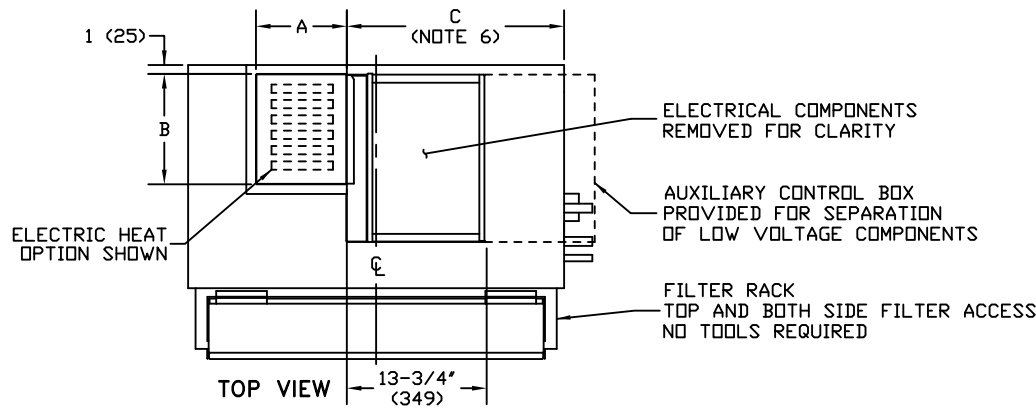


REVISION HISTORY		
REV	DATE	ECN
-		10-1273
A		19-0491



NOTES:

1. RIGHT-HAND SHOWN. LEFT HAND OPPOSITE.
2. ALL DIMENSIONS ±1/4 INCH (6 MM).
3. PRODUCT SPECIFICATIONS ARE SUBJECT TO CHANGES WITHOUT NOTICE.
4. DIMENSIONS IN PARENTHESIS ARE IN MILLIMETERS.
5. ALLOW ADEQUATE SPACING FOR MANUEVERABILITY AROUND UNIT TO ALLOW SERVICE THROUGH RECOMMENDED ACCESS AREA.
6. "C" DIMENSION IS MEASURED FROM COIL SIDE OF UNIT.
7. MIXING BOX OPTION WILL VARY RETURN DUCT DIMENSIONS, REFER TO MIXING BOX SUBMITTAL.

SIZE	FAN SIZE	DEPTH	WIDTH	HEIGHT	SUPPLY DUCT FLANGE			RETURN DUCT FLANGE		AUX CTRL BOX	UNIT SIDE TO DUCT FLANGE	UNIT BOTTOM TO DUCT FLANGE
					A	B	C	E	F			
VDY06	9X6	20(508)	28(711)	36-1/2(927)	8-7/8(225)	10-7/8(276)	15-1/8(384)	24-1/4(616)	14(356)	4-1/2(114)	1-7/8(48)	2-7/8(73)
VDY08	9X6	20(508)	28(711)	36-1/2(927)	8-7/8(225)	10-7/8(276)	15-1/8(384)	24-1/4(616)	14(356)	4-1/2(114)	1-7/8(48)	2-7/8(73)
VDY10	9X6	22(559)	37(940)	39-3/8(1000)	10-1/4(260)	10-7/8(276)	21-1/2(546)	33-1/4(845)	15-3/4(401)	0(0)	1-7/8(48)	2-7/8(73)
VDY12	9X6	22(559)	37(940)	39-3/8(1000)	10-1/4(260)	10-7/8(276)	21-1/2(546)	33-1/4(845)	15-3/4(401)	0(0)	1-7/8(48)	2-7/8(73)
VDY16	10X7	22(559)	47(1194)	39-3/8(1000)	13(330)	12(305)	16-5/8(422)	43-7/8(1115)	15-3/4(401)	1-1/4(32)	1-5/8(41)	2-7/8(73)
VDY20	11X10	24(610)	48(1219)	45-1/8(1146)	16-1/4(413)	13(330)	17-1/8(435)	44-1/4(1124)	18(457)	2-1/2(64)	1-7/8(48)	3-1/8(79)
VDY22	11X10	24(610)	48(1219)	45-1/8(1146)	16-1/4(413)	13(330)	17-1/8(435)	44-1/4(1124)	18(457)	2-1/2(64)	1-7/8(48)	3-1/8(79)
VDY30	12X12	28(711)	48(1219)	54-1/4(1378)	16-1/4(413)	14(356)	16(406)	44-1/4(1124)	26-1/2(673)	3-5/8(92)	1-7/8(48)	2-3/4(70)

TITLE		
VERTICAL DIRECT DRIVE		
MODEL		
VDY		
JOB NUMBER		
JOB NAME		
DRAWING NUMBER	REVISION	SHEET
		1 OF 1